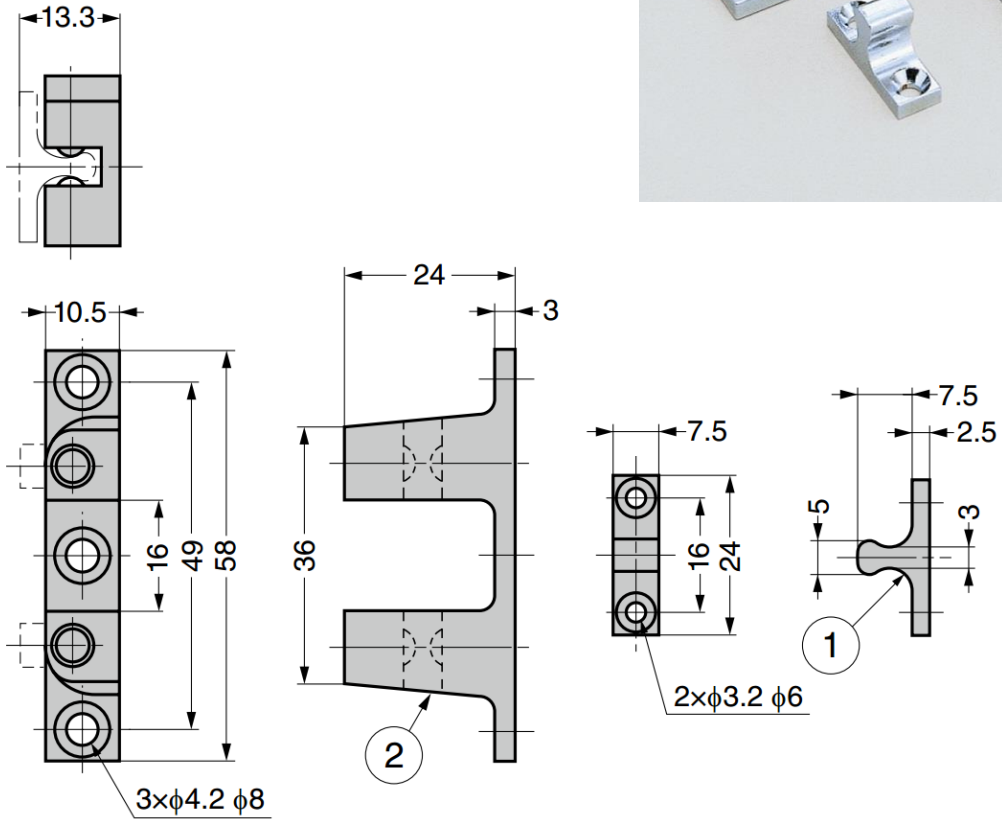


## GBCT-60W Tension Catch

### Notes

- Catch force is non adjustable, to not turn the slot portion
- Push-in and pulling force may vary depending on application environment



| No. | Part Name     | Material         | Finish |
|-----|---------------|------------------|--------|
| ①   | Counter Plate | Zinc Alloy (ZDC) | Chrome |
| ②   | Body          |                  |        |

| Part No. | Push-In Force |        | Pulling Force |        |
|----------|---------------|--------|---------------|--------|
|          | GBCT-60W      | 31.4 N | 3.2 kg        | 26.5 N |